

VACATION SECURITY TIPS

1. Make your home look occupied.
2. Secure your home.
3. Leave a key with a trusted friend/neighbor.
4. Have lawn mowed.
5. Stop deliveries or have neighbor pick up mail and paper.
6. Have someone park a vehicle in your driveway.
7. Have someone "house-sit" your home.
8. Do not advertise your trip.

FINALLY, IF A CRIME DOES OCCUR...

Call law enforcement immediately. A five minute delay means that the chance of catching the criminal drops by two-thirds.

Tell the deputy as much as you can. In many cases, it is what the victims and witnesses can tell about the criminal that results in an arrest. No fact is too trivial.

It pays to prosecute. Three-fourths of all criminals who are prosecuted are found guilty.

Being a witness in court is not as much trouble as you think. There are special programs to assist victims with their day in court.

ORANGE COUNTY SHERIFF'S OFFICE
 Crime Prevention Unit
407-254-7380

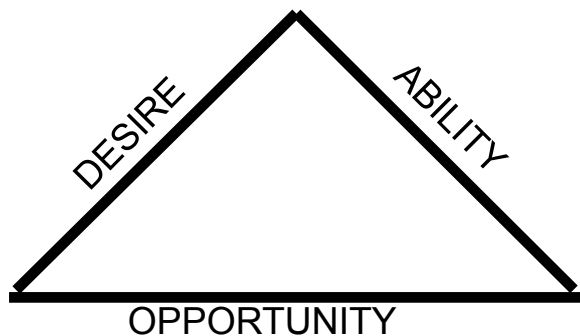
EMERGENCY 9-1-1
 Non-Emergency 407-836-HELP (4357)



Sheriff Jerry L. Demings



Neighborhood
Watch
Program



Take away any part of the equation, and the chance of a crime occurring is greatly reduced. For example, take away the opportunity and even the criminal with the desire and ability will find it hard to commit that crime.

NEIGHBORHOOD WATCH

The best crime prevention device ever invented is a good neighbor. The security steps you and your neighbors take as a group are just as important as the things you do individually. This joint effort is called Neighborhood Watch.

Neighborhood Watch should include an effort to inform everyone of good home security techniques, marking and listing your property, and neighborhood participation. In addition, it should include watching out for and reporting suspicious or unusual activities in your neighborhood.

TO START A NEIGHBORHOOD WATCH GROUP

It is easy to organize a Neighborhood Watch in your area. Coordinate a date/time/location for your neighborhood's initial meeting with a Crime Prevention Officer from the Sheriff's Office Homeland Security Section. During this initial meeting, the Sheriff's Office will offer tips on home security, crime awareness, operation identification, and how to report suspicious activities.

BLOCK CAPTAINS

Volunteers are needed to serve as block captains. One block captain needs to be assigned for every ten homes. The block captain's duties are varied but essential to the success of your Neighborhood Watch. These tasks include welcoming new neighbors and encouraging their participation in the program; compiling a list of names of all persons on their block who wish to participate; serving as a liaison between citizens and law enforcement; and helping to form and maintain a telephone notification system for emergencies.

GOOD SECURITY HABITS

1. Re-key locks when purchasing a new home or after keys have been lost/stolen.
2. Place deadbolt locks on all exterior doors including the door from the garage leading to the inside of the house.
3. Install locks on all windows.
4. Trim shrubbery away from entryways and windows.
5. Light all entryways and the exterior of your residence.
6. Make house numbers visible from the street day and night.
7. Use Operation Identification on all valuables.
8. Report suspicious activities to non-emergency line: 407-836-HELP (4357).
9. Know how to report emergencies to 9-1-1 and instruct children, too.
10. In an emergency, know how to contact your neighbors.
11. Do not reveal your name, phone number, address, or personal information to unknown telephone callers.
12. Never tell a stranger your neighbor is not at home.
13. Never give out information that you are alone, or when you will be away. Instruct children to do the same when answering the door or telephone.

OPERATION IDENTIFICATION

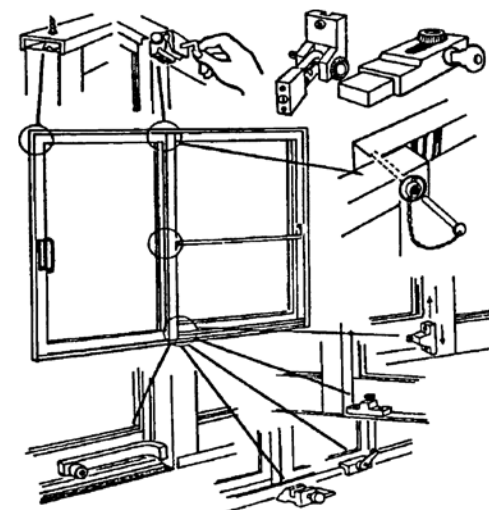
Operation Identification is the program where you mark and list your valuables for identification. If they can be engraved, put your driver's license number on the item. For items of value that cannot be engraved, take a color photograph or videotape these items. A list of all valuables, with serial numbers, along with any photographs or videos, should be kept in a safe place.

The burglar also knows about Operation Identification and that it greatly reduces their opportunity to successfully fence your valuables. **DO IT TODAY!**

SLIDING WINDOWS AND DOORS

Problems:

- * Aluminum (thin gauge) can be peeled to gain entry.
- * Window/door can be lifted out of the track.
- * Window can be forced open.



Solutions:

- * Tighten adjustment screws to prevent lifting door out of track.
- * Charley-bar or sliding door bar may be purchased and placed at the mid-point of the door.
- * Numerous locking devices are available for sliding windows and doors.